

## Web Based Curriculum Guide

- Update to Creo Elements/Direct 17.0 (formerly CoCreate 17.0) from CoCreate 16.0
- Creo Elements/Direct 17.0 (formerly CoCreate 17.0) Basic Modeling
- Update to Creo Elements/Direct 17.0 (formerly CoCreate 17.0) from CoCreate 15.0
- Creo Elements/Direct 17.0 (formerly CoCreate 17.0) Annotation
- Creo Elements/Direct 17.0 (formerly CoCreate 17.0) Model Manager

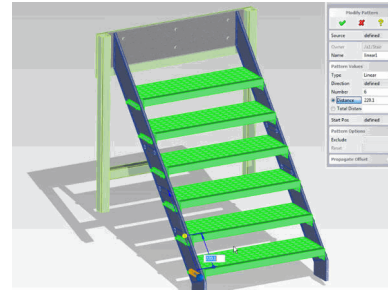
## Update to Creo Elements/Direct 17.0 (formerly CoCreate 17.0) from CoCreate 16.0

### Overview

Course Code **SAB-CEK4598**

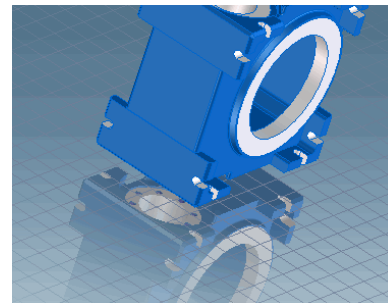
Course Length **8 Hours**

CoCreate Modeling 17 Update is a course that updates you on this version of the tool. You will learn about new functionalities introduced. This course will include overall usability improvements, 2-D, Machine, Modify 3-D, and Annotation updates.



### Course Objectives

- Understand the new usability improvements.
- Understand the new 2-D improvements.
- Understand the new Machine commands and changes.
- Understand the new Modify 3-D improvements.
- Understand the new features in Annotation.



### Prerequisites

- Must be able to interpret engineering drawings, and have an understanding of drafting concepts.
- Must have experience in the development of 2-D and 3-D design using CoCreate Modeling.
- Previous CoCreate Modeling classes is a great plus.

### Audience

- Designers
- Mechanical engineers
- Industrial designers
- Illustrators
- Tooling designers

## Table of Contents

Module	1	Using Modeling
Module	2	Working with 2-D
Module	3	Machining
Module	4	Modifying 3-D
Module	5	Annotation Updates

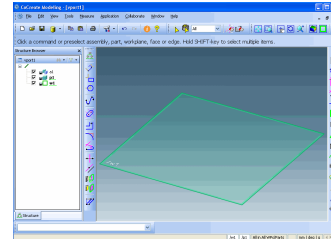
# Creo Elements/Direct 17.0 (formerly CoCreate 17.0) Basic Modeling

## Overview

Course Code TRN-2902-T

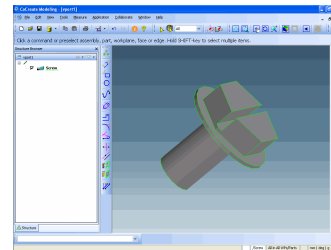
Course Length 3 Days

Introduction to CoCreate Modeling is a course that will teach you the basics about 3-D design using CoCreate Modeling. You will learn about CoCreate's explicit approach to 3-D design and the basics of working with workplanes and 2-D. Using the intuitive interface, you will learn how to build and modify parts and assemblies. You will also be instructed on tips and best practices. After completing this course, you will have an understanding of the explicit modeling approach of CoCreate Modeling, and be able to design functional and manufacturable products using this tool.



## Course Objectives

- Understand the explicit modeling approach of CoCreate Modeling.
- Create workplanes by various methods.
- Create and modify 2-D using 2D CoPilot.
- Create parts from 2-D using Machine commands.
- Modify parts with Blends, Chamfers, face modifications, and face booleans.
- Create and modify assemblies.
- Customize the user interface.



## Prerequisites

---

- Must be able to interpret engineering drawings, and have an understanding of drafting concepts.
- Must have experience in the development of 2-D design using a CAD system.
- Prior use of another 3-D CAD system is helpful, but not required.

## Audience

---

- Designers
- Mechanical engineers
- Industrial designers
- Illustrators
- Tooling designers

## Table of Contents

Module	1	Introduction To Modeling
Module	2	Introduction to Workplane, 2-D, and Machine
Module	3	Modify 3D
Module	4	Parts and Assembly
Module	5	User Interface Customizations

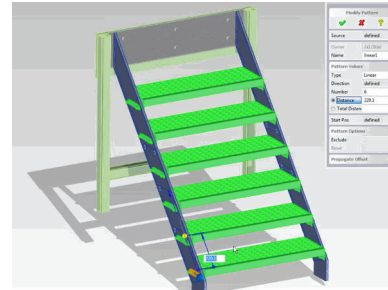
## Update to Creo Elements/Direct 17.0 (formerly CoCreate 17.0) from CoCreate 15.0

### Overview

Course Code      SAB-CEK4688

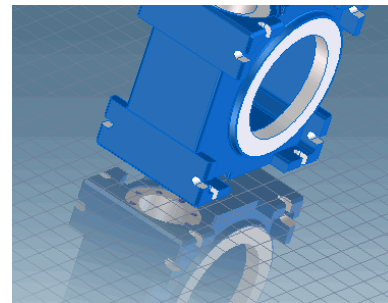
Course Length    8 Hours

Update to CoCreate 17.0 from CoCreate 15.0 is a course that updates you on this version of the tool. You will learn about new functionalities introduced. This course will include overall usability improvements, 2-D, Machine, Modify 3-D, and Annotation updates.



### Course Objectives

- Understand the new usability improvements.
- Understand the new 2-D improvements.
- Understand the new Machine commands and changes.
- Understand the new Modify 3-D improvements.
- Understand the new features in Annotation.



### Prerequisites

- Must be able to interpret engineering drawings, and have an understanding of drafting concepts.
- Must have experience in the development of 2-D and 3-D design using CoCreate Modeling.
- Previous CoCreate Modeling classes is a great plus.

### Audience

- Designers
- Mechanical engineers
- Industrial designers
- Illustrators
- Tooling designers

## Table of Contents

Module	1	Using Modeling
Module	2	Working with 2-D
Module	3	Machining
Module	4	Modifying 3-D
Module	5	Annotation Updates

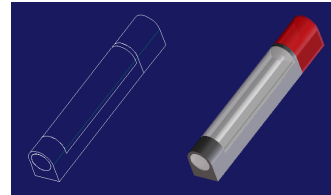
## Creo Elements/Direct 17.0 (formerly CoCreate 17.0) Annotation

### Overview

---

Course Code T2904-017-T

Course Length 16Hours



CoCreate Annotation is a course that will teach you 2-D drawing creating using CoCreate Annotation. Create multiple-sheet drawings. Generate various types of primary and dependant views with different types of update modes. You will also learn how to add all types of annotations to your drawing, ranging from dimensions, additional geometry and text, symbols, pictures, and even OLE objects. You will complete the design cycle by updating a drawing after modifying the 3-D model. You will finally conclude by adding a BOM to your assembly drawing. You will have a full understanding of the CoCreate drawing creation process.

### Course Objectives

---

- Create drawings of 3-D models using CoCreate Annotation.
- Create and update various types of views.
- Add annotations necessary to complete the drawing.
- Add a BOM to an assembly drawing.

## Prerequisites

---

- Must be able to interpret engineering drawings, and have an understanding of drafting concepts.
- Must have experience in the development of 2-D design using a CAD system.
- Prior use or of CoCreate Modeling.

## Audience

---

- Designers
- Drafters
- Mechanical engineers
- Industrial designers
- Illustrators
- Tooling designers

## Table of Contents

Module	1	Introduction To Annotation And User Interface Customizations
Module	2	Creating an Annotation Drawing
Module	3	Creating Annotation Views
Module	4	Adding Annotations
Module	5	Adding BOM

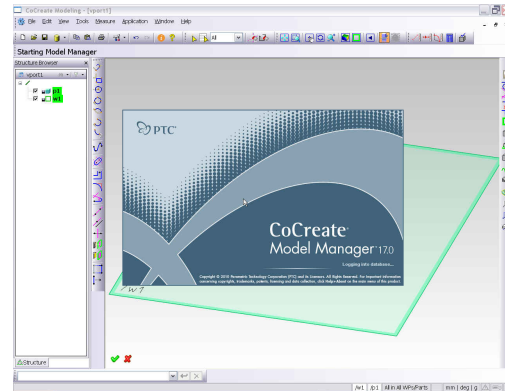
# Creo Elements/Direct 17.0 (formerly CoCreate 17.0) Model Manager

## Overview

Course Code                      SAB-CEK4697

Course Length                    16 Hours

CoCreate Model Manager covers how to manage, search, load, and save CoCreate data . You learn how to manage multiple versions and various data types. You learn to work with others by monitoring data, managing permissions, passing data, and resolving potential conflicts. You also learn how to create and edit a BOM using the BOM Editor. After completion of this course you have a full understanding of the CoCreate data management process.



## Course Objectives

- Saving various types of data.
- Search for data.
- Load data.
- Teamwork methodology.
- Manage Annotation data.
- Data conflict resolution.
- BOM building using BOM Editor.
- Task creation and Scheduling.

## Prerequisites

- Prior use or knowledge of CoCreate Modeling, and Annotation.
- Prior use of other data management software not required, but is beneficial.

## Audience

- Designers
- Drafters
- Mechanical engineers
- Industrial designers
- Illustrators
- Tooling designers

## Table of Contents

Module	1	Introduction To Model Manager And User Preferences
Module	2	Saving, Finding, And Loading In Model Manager
Module	3	Team Work In Model Manager And Database Properties
Module	4	Annotation Data In Model Manager
Module	5	Conflict Resolution In Model Manager
Module	6	Working With Packets In Model Manager
Module	7	Working With Projects In Model Manager
Module	8	Bill Of Material Editor
Module	9	Setting Up Task Agent